

THIS DRAWING IS UNPUBLISHED.

RELEASED FOR PUBLICATION

© COPYRIGHT - By -

ALL RIGHTS RESERVED.

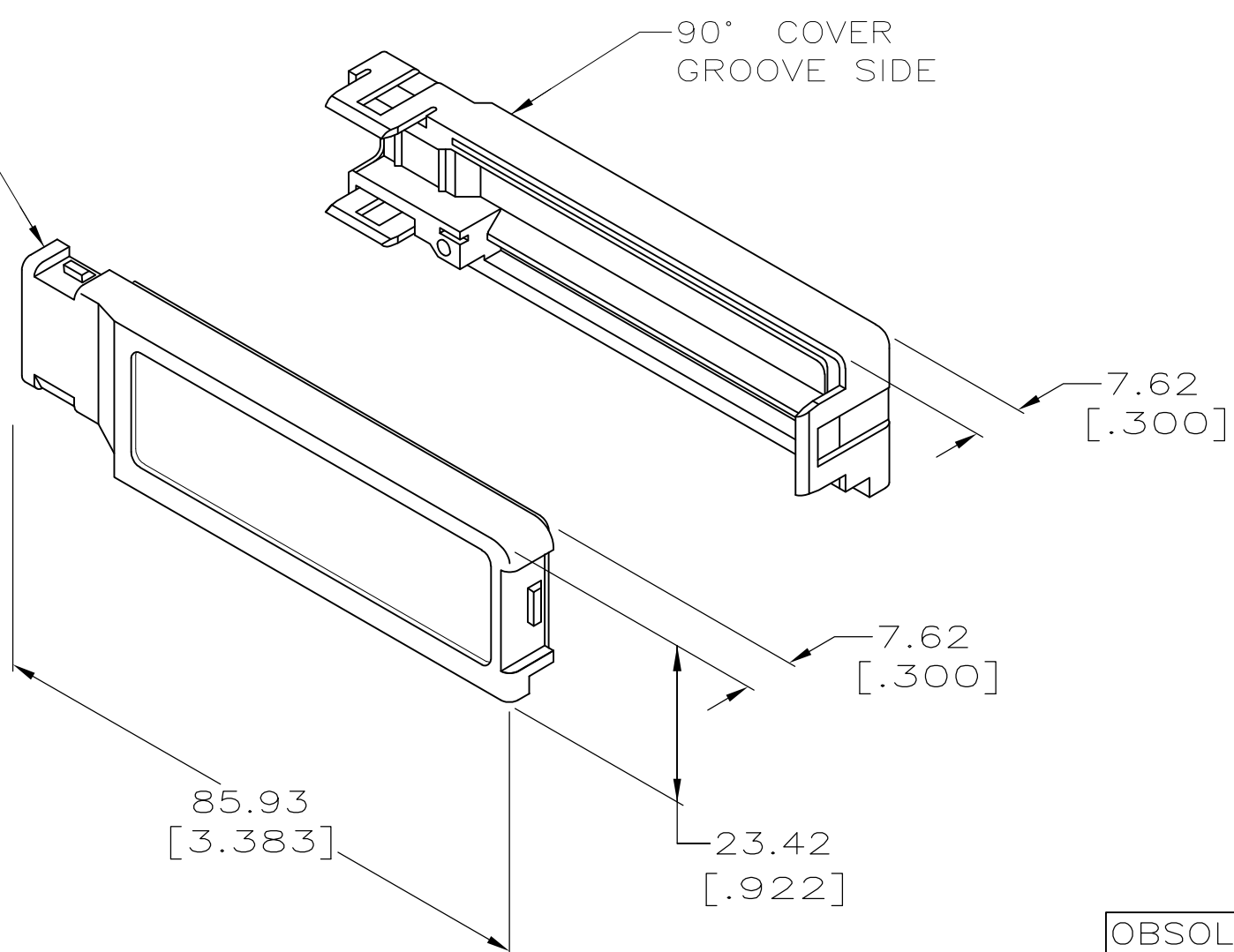
LOC AA DIST 20

REVISIONS

P	LTR	DESCRIPTION	DATE	DWN	APVD
	K1	REVISED PER ECO-11-005140	28MAR11	RK	HMR

90° COVER TONGUE SIDE

90° COVER GROOVE SIDE



1. DIMENSIONS SHOWN ARE FOR REFERENCE ONLY UNLESS OTHERWISE SPECIFIED.
2. COVERS SHIPPED NOT ASSEMBLED.
3. 100 KITS BULK PACKED.

OBSOLETE	ALMOND	8.00 - 10.54	1-552011-5
	BLACK	[.315 - .415]	1-552011-1
OBSOLETE	ALMOND	10.54 - 11.81	552011-5
	BLACK	[.415 - .465]	552011-1
	COLOR	CABLE RANGE DIAMETER	PART NUMBER

THIS DRAWING IS A CONTROLLED DOCUMENT.		DWN DL DRUMMOND 22 APR 96	STE TE Connectivity	
DIMENSIONS: mm [INCHES]		CHK D. AHERON 09 MAY 96		
TOLERANCES UNLESS OTHERWISE SPECIFIED:		APVD M. HUGHES 09 MAY 96	NAME	
0 PLC ± -		PRODUCT SPEC	COVER KIT, 90 DEGREE, 50 POSITION, CHAMP®	
1 PLC ± -		APPLICATION SPEC	SIZE	CAGE CODE
2 PLC ± -		FINISH	DRAWING NO	RESTRICTED TO
3 PLC ± -		MATERIAL POLYPHENYLENE OXIDE	WEIGHT -	A3 00779 C-552011
4 PLC ± -			CUSTOMER DRAWING	SCALE 1:1
ANGLES ± -				SHEET 1 OF 1
				REV K1